



GOST

Special Features

- Rugged construction
- Low cost
- Easy installation
- Easy replacement of electrical assembly

Applications

- Chemical processing equipment
- Alarms for hydro-pneumatic tanks
- Ship building industry
- Sewage
- Water treatment plant
- Food
- Pharmaceuticals
- Chemical
- Power plants

Specifications

Standard Version :

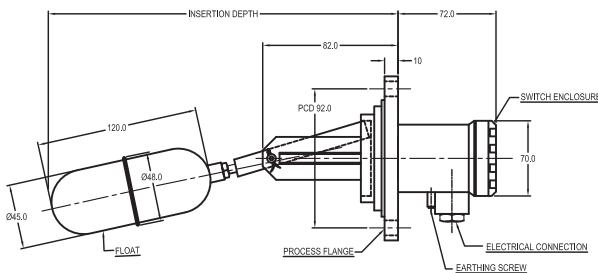
Housing material	: Die Cast Aluminum
Ingress protection	: IP 65
Process connection	: 92 mm PCD Square Flange
Material of wetted parts	: AISI 316 SS
Float diameter	: 45 mm (48 mm at welded seam)
Insertion depth	: 215 mm (Standard)

Cable entry	: 1/2" BSP (F) with 1/2" BSP (M) Conduit
Switch differential	: 12 ± 3 mm
Switch type	: Micro Switch
Switch rating	: 5 A / 250 VAC

Minimum specific gravity	: 0.75
Maximum operating temperature	: -10°C to + 180°C
Maximum operating pressure	: 18 kg/cm ²

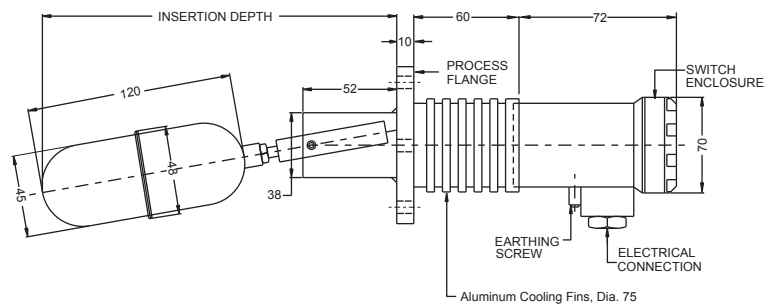
Dimensions - Standard Version

Type - A: General Purpose

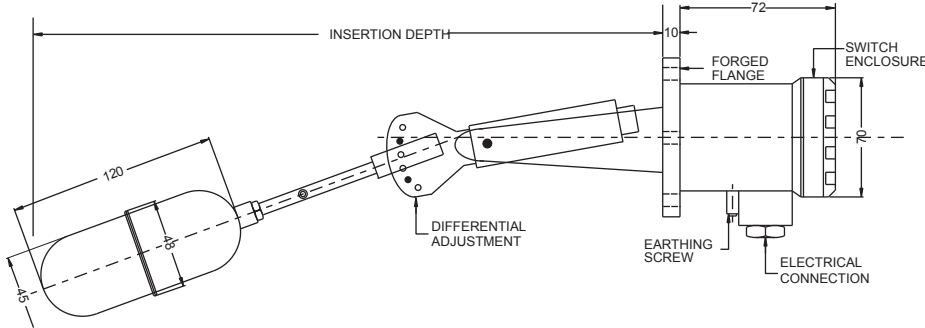


LA MODEL WITH FORGED FLANGE

Type - H: High Temperature (up To 350°C)



Type - Z : Adjustable Differential



How To Order

Example

Basic Model		LA	
TYPE			
A General Purpose (standard)			
T High Temperature (up To 350°C) (with Aluminum Cooling Fin)		X	
Z Adjustable Differential (with Process Connection Option D03)			
Insertion Depth		215A	
Min. 215 mm for Type A Min. 215 mm for Type T Min. 350 mm for Type Z Please specify Insertion length in mm. (Example : Write 215 A For length 215 mm & Type A)			
Housing Material		X	
D Die Cast Aluminum Weatherproof to IP 65 (standard) E Die Cast Aluminum Suitable For Gas Group II A / II B Y AISI 316 SS			
Cable Gland		X	
A SS316 - 1/2" BSP (M) Conduit Plug (std) B Brass (NI Plated) - 1/2" NPT DC C Brass (NI Plated) - 1/2" BSP SC D SS304 - Ex Proof			
Switch Output		X	
1 1 SPDT (Standard) 2 2 SPDT / 1 DPDT			
Process Connection (*Float Diameter will be 25 mm, Seam diameter 28 mm)			
	Flanged (As per ANSI B 16.5)		
D01 92 Mm PCD Square Flange (standard)	6NM 1" NPT (M)*	B39 2" 150# RF	B40 2" 300# RF
D02 92 Mm PCD Round Flange	7NM 1 1/2" NPT (M)*	B45 2 1/2" 150# RF	B46 2 1/2" 300# RF
D03 92 Mm PCD Forged Square Flange	8NM 2" NPT (M)*	B51 3" 150# RF	B52 3" 300# RF
		C33 4" 150# RF	C34 4" 300# RF
Options		XXX	
For Non Standard Products/optional Items, Please Contact Factory for Delivery and Minimum Quantity of Order.			
PC PTFE Coating (up To 150 °c) (for Flange Connection Type Only)	GB Housing - Suitable For Gas Group II A / II B GC Housing - Suitable For Gas Group II C	XX	
MF Matching Flange	GH Material Test Certificates**		
SX Ss Tag Plate	PF Polypropylene Float		

** Material Test Certificates Will Be Provided For Wetted Parts Only With Chemical Composition Testing.
For Others, Please Consult Factory.

Ordering Example: LA . X . 215A . X . X . XXX . XX

Ordering Information : Specify model no., Liquid, Specific Gravity, Operating Pressure & Operating Temperature.

Note : Specifications and dimensions given in this product catalogue represents the state of engineering at the time of printing.

Modifications may take place and materials specified may be replaced by others without prior notice.