



Model 2500 is designed for critical applications involving hazardous media.



descote is known worldwide by the chemical industry as THE VALVE SPECIALIST for HAZARDOUS MEDIA.

General applications

Model 2500 is designed for all dangerous, corrosive, inflammable, pyrophoric, noxious media such as Volatile Organic Compounds (VOC's), Hazardous Liquefied Gas (HLG), Hazardous Air Pollutants (HAP), etc.

Model 2500 is particularly recommended when solidification, polymerization problems, etc. are encountered.

It is commonly used on the following processes and production units: PCA (polycarbonate), HCN, pesticides, Ethylene oxide, etc.

And on many other processes using dry chlorine (Cl₂), phosgene (CoCl₂), dry hydrogen chloride (A. HCl), anhydrous fluorhydric acid (A. HF), etc.

descote valves and actuators are certified SIL 3 CAPABLE according to IEC 61508.



descote also manufactures gland type globe valve Model 1500B and bellows sealed globe valves Model 2100B and 2020 (see documentation). Selection of the most appropriate valve design depends upon many factors including local and international standards and regulations. It should also include service conditions, maintenance, safety and emissions monitoring requirements. In addition, descote proposes a wide range of technical solutions such as double containment, central monitoring, zero ppm, etc. descote valve specialists are there to help you with your choice.

Quality Assurance

Design and manufacturing is ISO 9001 approved. Our manufacturing processes are also approved by the TÜV.

www.descote.com

Bellows Sealed Globe Valve Model 2500

technical data

Features

Ease of operation

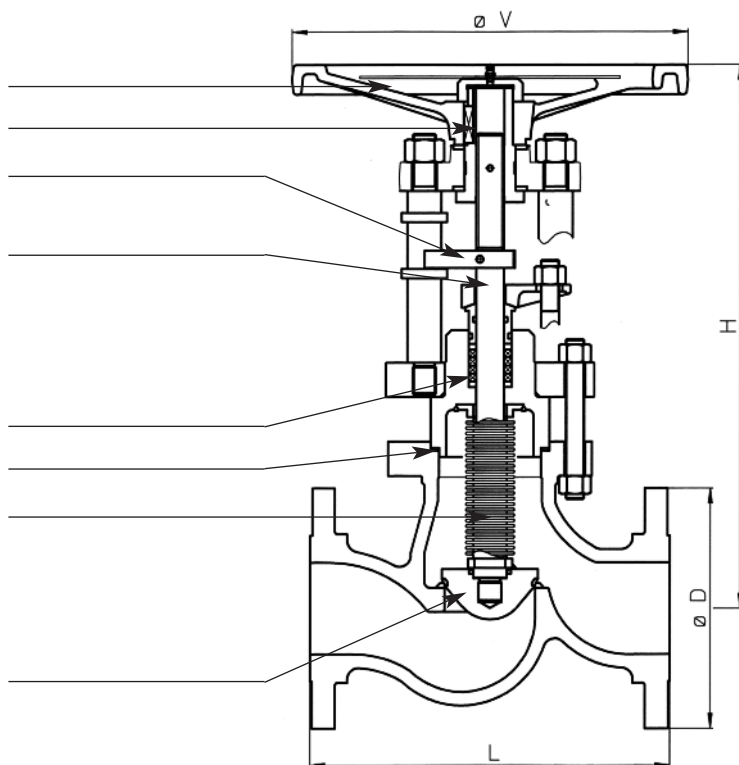
- Large diameter, long lasting heavy duty handwheel
- Yoke bushing with needle bearings and lubrication fittings
- Position indicator, torsion limiter
- One-piece, non rotating stem is cold rolled for concentricity and polished to ensure packing integrity and smooth operation

Zero emissions

- Stem sealed by multi wall hydroformed bellows
- Secondary sealing by an additional emergency stuffing box
- Fully entrapped body/bonnet gasket ensures joint integrity
- Long bellows, exposed to the flow for self cleaning
- Additional back seat on stem

Zero seat leakage

- Hard faced, knife edge seating to cut through process impurities
- High quality level 2/3 castings, as per ASTM E446



Bellows to eliminate fugitive emissions



Metal bellows welded to the stem and bonnet provide a continuous metallic barrier between the process fluid and the atmosphere to achieve zero emissions. For added security there is also a stuffing box for secondary sealing. The bellows are multi walled, hydroformed and guaranteed for 10 000 full cycles at the maximum design pressure for the valve. All bellows can be equipped with a leak detection port for continuous monitoring.

Manufacturing range

We classify our manufacturing range as follows:

Class A – our most standard products – finished valves, raw materials and semi-finished components always available.

Class B – made to order products – these are class A products adapted to meet specific customer requirements, they may use alternative materials, have accessories fitted (e.g. limit switches), have minor design changes (e.g. special flange drilling) or have special tests and controls.

	Standard range - class A products	Additional range - class B products
Dimensions	DN 10 to 300 - 3/8" to 12"	
Rating	ISO PN25/40/64/100 - ANSI Class 150/300/600 lbs	Up to ISO PN420 - ANSI Class 2500 lbs
Temperature	-101°C to +400°C / -150°F to +750°F	-196°C to +800°C / -320°F to +1500°F

Applicable construction standards

- ANSI B16.34, ANSI B31.3 (cat. M), ASME III, ASME VIII
- DIN 3840 / TRD 100 / TRD 110 / AD A4 / AD W0 / HP 0 / TRB 801 Nr.45
- AFNOR NFE 29350 / CODAP / RCC.M
- BS 1873
- JIS B8243, STOOMWEZEN, UNI, SA
- NACE, Fire security, etc.

The standard of construction is always adapted to the customer and the country of utilization.

End connections

	End type	DN	ISO PN	ANSI Class	
1.	BW	10 to 300 (3/8" to 12")	PN20 to PN420	Class 150 to 2500 lbs	
2.	Threaded	10 to 50 (3/8" to 2")	PN20 to PN420	Class 150 to 2500 lbs	
3.	SW	10 to 50 (3/8" to 2")	PN20 to PN420	Class 150 to 2500 lbs	
4.	Flanges	10 to 300 (3/8" to 12")	PN20 to PN420	Class 150 to 2500 lbs	available in RF, Male and Female, Tongue & Groove, RTJ, etc.

Bellows Sealed Globe Valve Model 2500

technical data

Face to face dimensions

Valves are manufactured according to international dimensional standards : ISO 5752 - ANSI B16.10 - NF EN 558 - BS 2080 - DIN 3202 - JIS B2002

Class A Products		mm inch	Forged						Cast				
ISO	ANSI		15 1/2"	20 3/4"	25 1"	40 1 1/2"	50 2"	80 3"	100 4"	150 6"	200 8"	250 10"	300 12"
PN25/40		L	130	150	160	200	230	310	350	480	600	730	850
PN20	CI 150	L	152	178	127	165	203	241	292	406	495	622	698
PN50 GVF	CI 300GVF	L (1)	152	178	203	229	267	318	356	444	559	622	711
PN50 BVF	CI 300BVF	L (2)	140	152	165	190	216	283	305	403	–	–	–
JIS 20K		L	152	178	203	229	267	318	356	444	559	622	711
JIS 20K SPECIAL		L (3)	140	160	180	240	300	310	350	400/440	540	–	–
		H	235	260	260	360	375	440	475	605	620	800	900
		V	150	175	175	225	225	350	350	750	750	750	1000
PN100	CI 600	L	165	190	216	241	292	356	432	559	660	787	838
PN100 DIN		L	210	230	230	260	300	380	430	550	650	775	900
		H	289	289	289	434	434	541	612	792	808	910	1100
		V	225	225	225	275	275	500	750	750	750	750	1000

(1) GVF Face to Face standard is interchangeable with globe valves

(2) BVF Face to Face standard is interchangeable with gate, plug and ball valves - ISO PN50/ ANSI Class 300 lbs

(3) Valves are interchangeable with some Japanese manufacturers special dimensions

Materials selection

We manufacture valves in a wide range of materials, from carbon steels to special alloys. Materials are selected according to actual service conditions (fluid, temperature, pressure, etc.) and environmental circumstances (tropical location) to ensure optimum life of the valve:

- our standard manufacturing range is based upon the most widely used materials, Class A Bill of Materials (BoM)
- in addition, descote offers a Class B materials selection to fulfil customers specific needs.

(ASTM standards)	Class A BoM			Class B materials selection
	type 21	type 22	type 25	
body & bonnet	A350 LF2 or A352 LCC	A350 LF2 or A352 LCC	A350LF2 or A352 LCC	A105 / A216 WCC, A350 LF3 / A352 LC3
disc	A350 LF2	A350 LF2	A350 LF2	A182 Gr 304, 304L, 316, 316L, 316H
bellows	AISI 316L/316Ti	Hastelloy® C276	Hastelloy® C276	A351 CF8, CF3, CF8M, CF3M
stem	AISI 316L	Stainless Steel	Hastelloy® C276	Alloy 20, Duplex, MONEL®400, Monel®K500
seating	Stellite 21	Stellite 21	Stellite 21	Soft seatings,
gasket	PTFE	PTFE	PTFE	Inconel, Hastelloy®
packing	PTFE	PTFE	PTFE	For other materials, please consult descote
bolts & nuts	L7M/7M	L7M/7M	L7M/7M	

Inspection and quality control

descote production specifications have very strict non destructive testing and examination requirements. These are based upon:

National and international standards (API 600, ASME B31.3.)

+ industrial standards (EuroChlor, Chlorine Institute)

+ customers specific requirements

+ our own industrial experience

These requirements are systematically used and include the following examinations:

- X-ray, U.S., magnetic particle, dye-pen on welds and machined parts, wall thickness, dimensions, surface finish and hardness.

descote provides this high level of control and NDT to complement customer specifications.

Tests

All valves are tested according to international standards.

In addition, we systematically perform:

- 100% HP gas seat test with an acceptance criteria of 0 bubble 2 minutes duration minimum.

This testing ensures zero seat leakage on every valve delivered.

Certificates and traceability

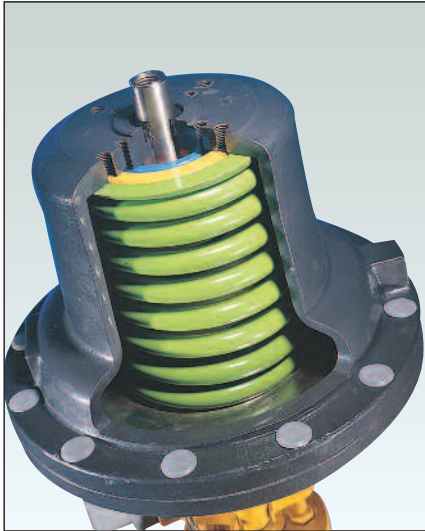
descote applies the ISO 9001 standard to the complete production process. This procedure systematically includes:

- unique serial number
- a 3.1B certificate for traceability of materials, tests, examinations and controls.

The valve serial number provides complete traceability for the lifetime of the valve.

Bellows Sealed Globe Valve Model 2500

range extension



Model 2500 can be delivered with pneumatic, electrical or hydraulic actuators.



Gland type globe valve Model 1500B.



Bellows sealed globe valve Model 2100B. Bellows protected from the flow.



Model 2500 can be assembled with special leak detection for emission monitoring.



Liquefied gas storage valves Model 2200.



Model 2020 bellows sealed instrumentation globe valve.



descote valves are available in angle pattern or 3 way valve for use with dual safety relief valves.



descote s.a.s

9 avenue Jean Jaurès
69320 Feyzin - France

Phone: +33 4 72 89 25 00

Fax: +33 4 72 89 25 25

E-mail : info@descote.com

Web : www.descote.com