

## SSB Sampling Ball Valve

### DN15 – DN100 / 1/2" - 4", full port

for safe and representative sampling of aggressive or even toxic liquids from pressurized pipelines without any process interruptions.

#### Modular Design

SSB Sampling ball valves are distinguished by their fixed sample volume of 40ml (1.35oz) which is isolated from the process as the valve is being operated.

The sturdy bodies are made of stainless steel casting 1.4408 (CF-8M), optional with chemically resistant linings such as PFA or PFA-AS (conductive).



CE Conformity acc. to European Pressure Equipment Directive 2014/68/EU (PED)

#### Main Features

- Full-port design, no pressure drop
- Fixed sample volume of approx. 40ml (1.35oz)
- Sample isolated from process as valve is operated
- Only one opening to the atmosphere
- Lockable handle with two stops for easy 180° degree motion
- ISO-flange according to ISO 5211 allows direct automation with pneum. or el. actuators
- Zero stem leakage provided by an innovative stem sealing mechanism
- Few components allow for easy maintenance

#### Standard



With vertical adapter

#### Options

- Purge Connection
- Vertical adapter
- Pneumatic or electric actuator (with optional timer unit)
- Needle adapter for lab bottles with septum
- Adj. bottle support with spring-loaded plate
- Safety cabinet with windows
- Activated carbon filter
- Sealing plug



With pneum. actuator

**Operating Conditions**

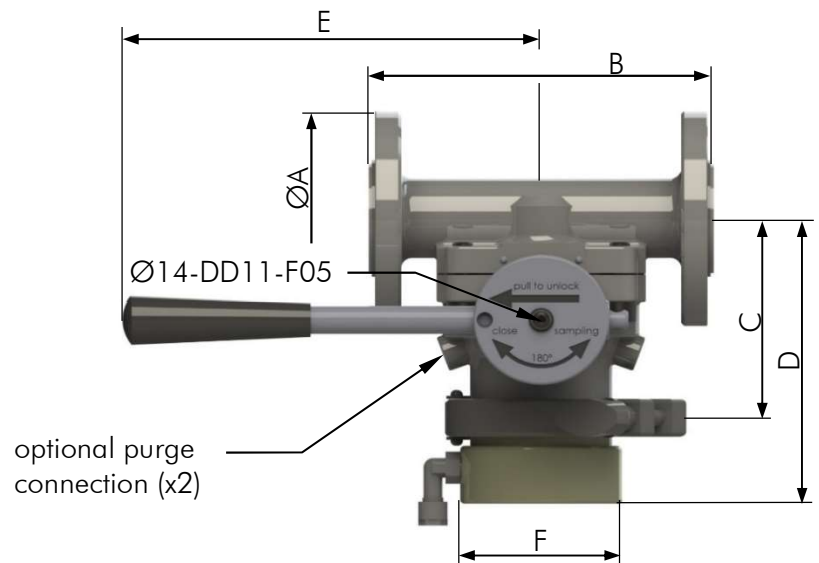
- Temperature range from  $-40^{\circ}\text{C}$  ( $-40^{\circ}\text{F}$ ) up to  $+200^{\circ}\text{C}$  ( $+400^{\circ}\text{F}$ ), depending on lining material
- Pressure range from 1mbar (0.01 psi) up to 16 bar (232 psi), depending on size/pressure/temperature

**Testing / Marking**

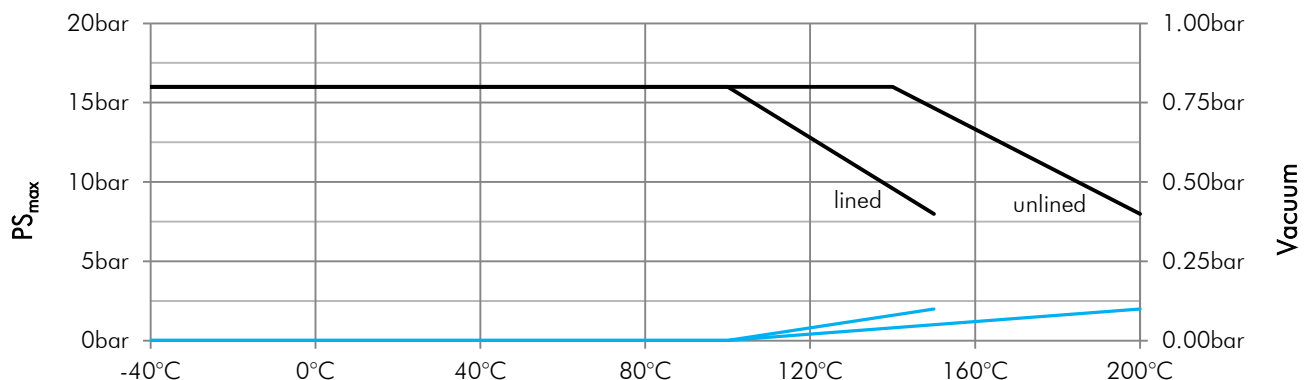
- Pressure- and tightness testing acc. to EN 12266-1, leakage rate A, resp. API 598.
- Marking of valves on body and name plate acc. to EN 19.
- Material- resp. test certificates acc. to EN 10204-3.1/2.2/2.1

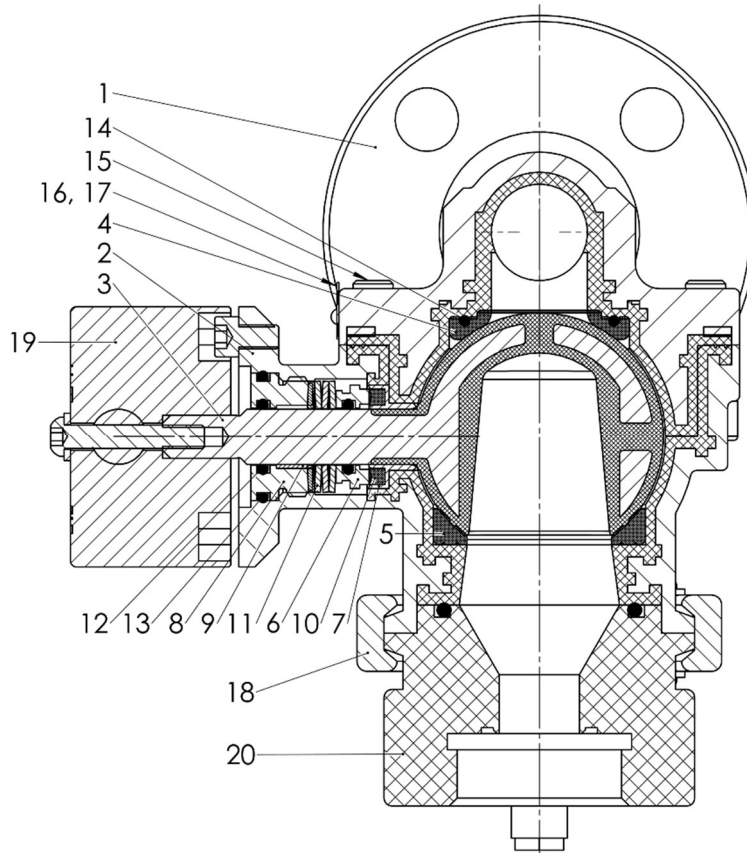
**Manual Valve**

Standard version with handlever


**Dimensions** in mm (lbs = kg x 2.2)

DN Size nom.	ØA DIN	ØA ANSI	B DIN	B ANSI	C	D	E	F	torque [Nm]	kg DIN	kg ANSI	kg Handle
15/1/2"	95	90	160	160	97	140	250	77.5	24Nm	4.8	4.8	0.9
20/3/4"	105	100	160	160	98	141	250	77.5	24Nm	5.2	5.2	0.9
25/1"	115	110	160	165	100	143	250	77.5	24Nm	5.5	5.0	0.9
40/1 1/2"	150	125	200	165	107	150	250	77.5	24Nm	7.0	6.5	0.9
50/2"	165	150	230	178	113	156	250	77.5	24Nm	9.2	7.8	0.9
80/3"	200	190	310	203	127	170	250	77.5	24Nm	12.7	12.2	0.9
100/4"	220	230	350	229	139	182	250	77.5	24Nm	19.0	19.0	0.9

**Pressure-/Temperature Diagram**


**Manual Valve**


Item	Qty.	Description	Material description	Material No.
1	1	Body 1"-150lbs	CF-8M/PFA	1.4408/PFA
2	1	Ball Housing	CF-8M/PFA	1.4408/PFA
3	1	Ball encapsulated 40ml	SS-Duplex/ETFE	1.4462/ETFE
4	1	Ball Seat spring loaded	PFA	-
5	1	Ball Seat	PFA	-
6	1	Pressure Sleeve	SS316L	1.4404
7	1	Sealing Sleeve	PTFE	-
8	1	Threaded Bushing	SS316L	1.4404
9	1	Bearing 1409 DU	C.St./PTFE	-
10	1	Elastomer Insert	FPM	-
11	4	Belleville Spring	Spring Steel	1.8159
12	2	O-Ring	FPM	-
13	1	O-Ring	FPM	-
14	1	O-Ring	FFPM	-
15	4	Socket Head Cap Screw	A2-70	1.431
16	1	Name Plate 42x14	A2-70	1.4301
17	2	Hammer Screw 2.49x4.76	A2	1.431
18	1	Clamp	SS304	1.4301
19	1	Handle lever compl.	SS316L	1.4404
20	1	Adapter compl. GL45 horizontal	PTFE-R/PVDF	-

**Project- / Customer Data**

Inquiry/Date: _____		<b>Ref. SF</b> _____	
Company: _____	Contact Person: _____	Phone: _____	
Address: _____	Function: _____	Fax: _____	
ZIP/Place: _____	Department: _____	E-mail: _____	
Project: _____	Phone direct: _____	Mobile: _____	

**Application**
**Media / Chemical Composition:**

<input type="checkbox"/> liquid	<input type="checkbox"/> powdery	<input type="checkbox"/> crystallizing	<input type="checkbox"/> sticky	<input type="checkbox"/> Spec. Grav. ____
<input type="checkbox"/> gaseous	<input type="checkbox"/> Solids ____ %	<input type="checkbox"/> viscous	<input type="checkbox"/> Flow Velocity ____ m/s	
<input type="checkbox"/> abrasive	<input type="checkbox"/> Particle ____ mm	<input type="checkbox"/> Visc. ____ cp	<input type="checkbox"/> Flow Rate ____ m <sup>3</sup> /hr	

**Pressure**

 max. \_\_\_\_ bar  
 min. \_\_\_\_ bar

**Temperature**

 max. \_\_\_\_ °C  
 min. \_\_\_\_ °C

**Mode**
 On/Off  
 Flow Control  
 \_\_\_\_ cycles/ \_\_\_\_

**Installation / Environment**
 horizontal  
 vertical  
 Room dry  
 Room humid  
 outdoor

Remarks: \_\_\_\_\_

**SSB Product Code**

Specification of a complete Ball Valve SBV Series

Product Code	Nom. Size	Body	Body	Body lining	Elastomer	Ball (encaps./solid)	Ball Seats	Options
SSB	1"	150lbs	G15	A85	E67	U91	B85	...
	DN15 - 100 1/2" - 4"	PN16 PN40 ANSI150#		A85 PFA A86 PFA-AS - unlined	E60 EPDM E67 FPM E68 VMQ	U91 ETFE U86 PFA-AS S34 SS316L S43 C-276 XX Others	B85 PFA B86 PFA-AS B80 PTFE B81 PTFE-T B95 PTFE-R	Pu Purge connection RAL Special paint ... others

Note: Actuators, Adapter options and accessories to be specified separately.